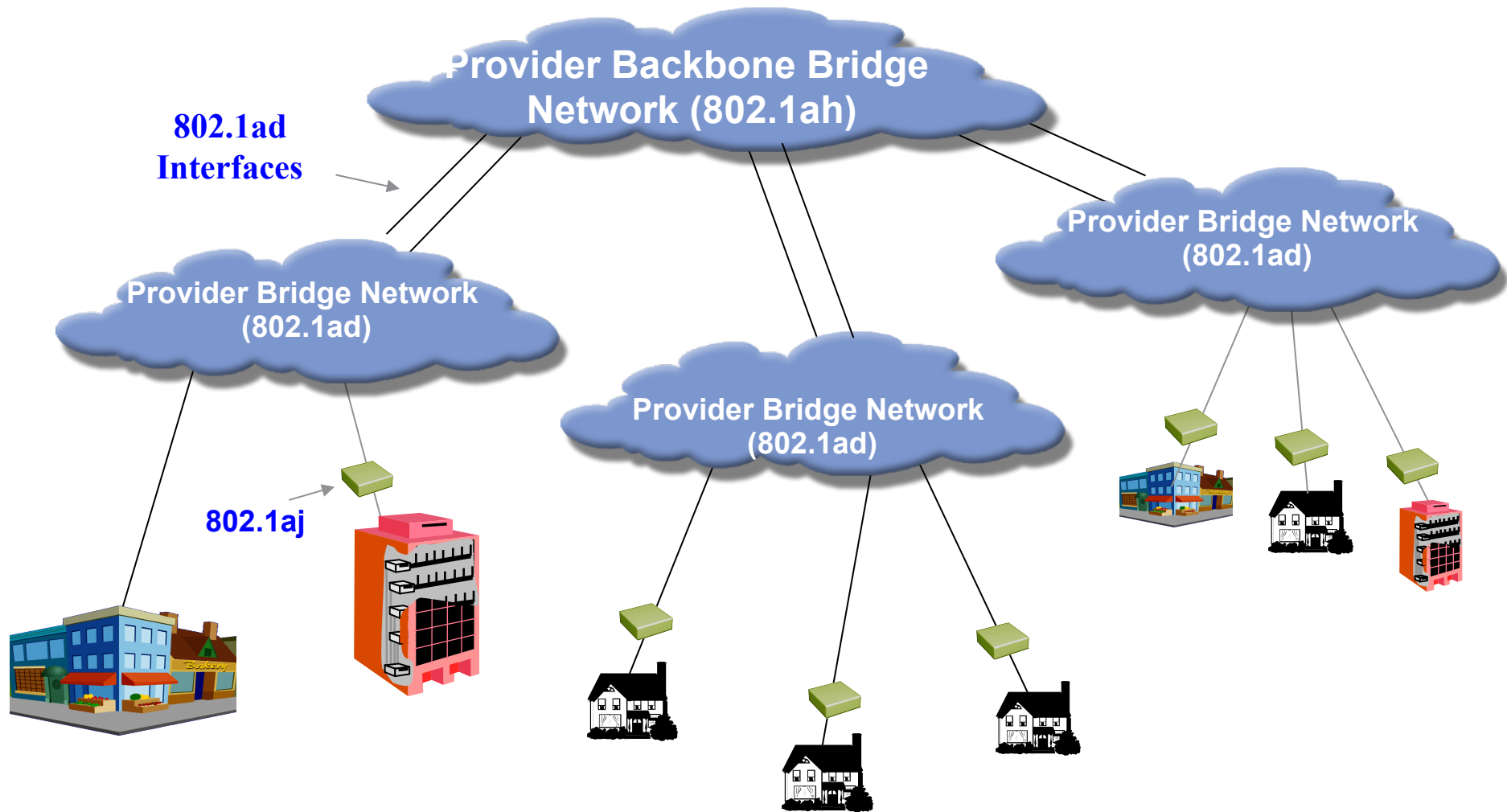
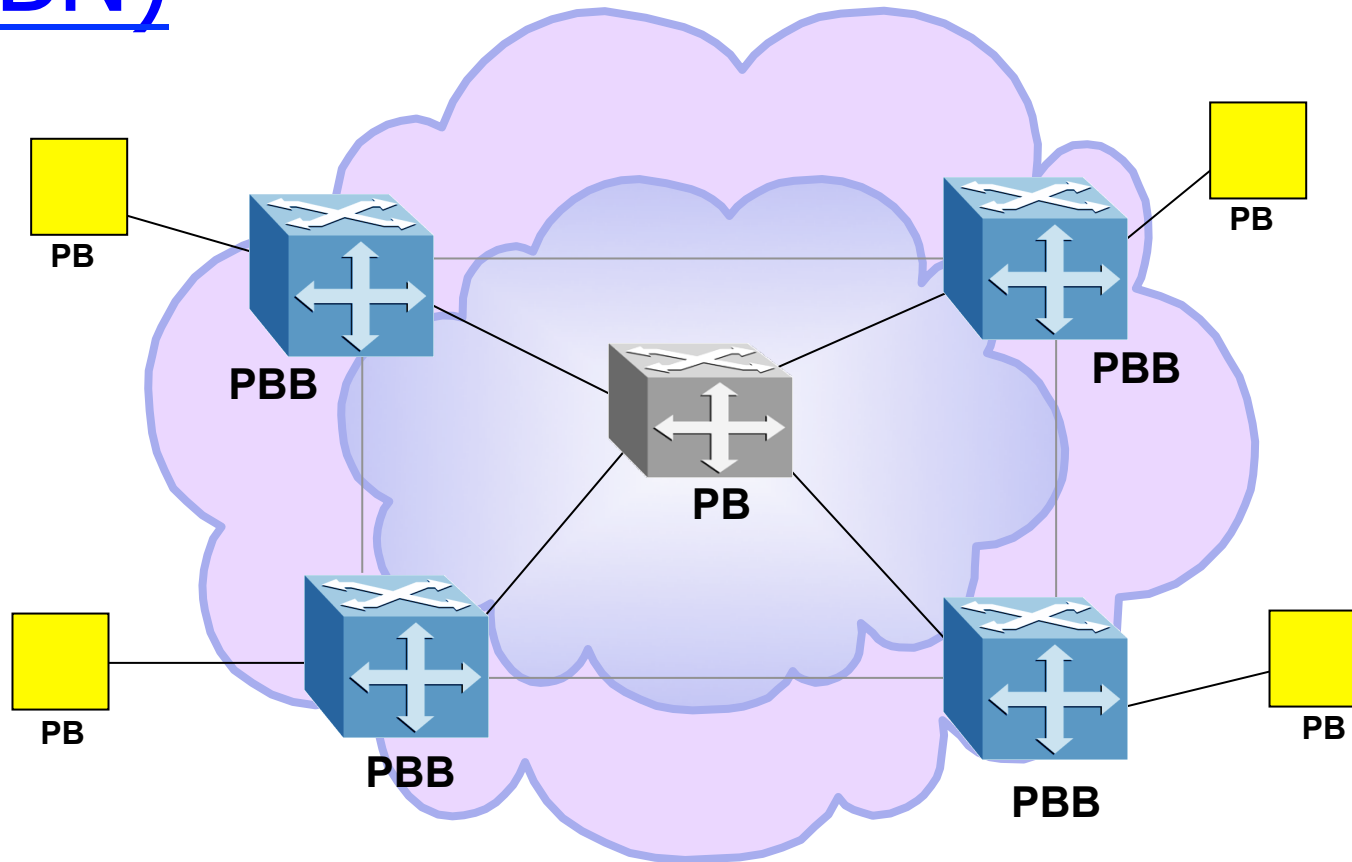


IEEE 802.1ah (Provider Backbone Bridge) Context



CFM - Connectivity Fault Management (802.1ag) runs end-to-end

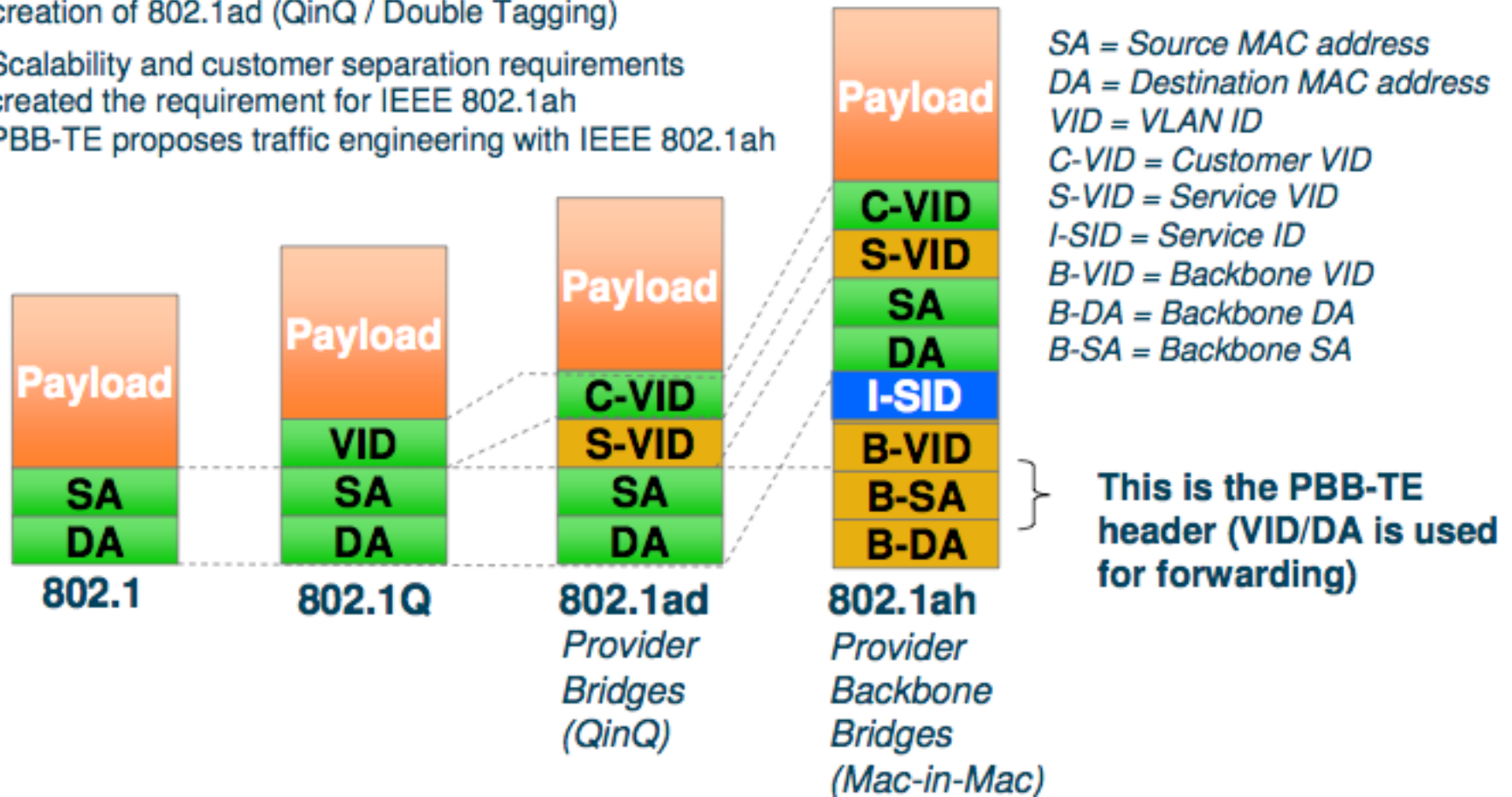
Provider Backbone Bridge Network (PBBN)



- **PB**: Provider Bridge (as defined by 802.1ad)
- **PBB**: Provider Backbone Bridge Edge (as defined by 802.1ah)

Encapsulation

- Increased reach & speeds, interest by SPs led to the creation of 802.1ad (QinQ / Double Tagging)
- Scalability and customer separation requirements created the requirement for IEEE 802.1ah
- PBB-TE proposes traffic engineering with IEEE 802.1ah



Agreed Terminology

- IEEE 802.1ad Terminology
 - C-TAG Customer VLAN TAG
 - C-VLAN Customer VLAN
 - C-VID Customer VLAN ID
 - S-TAG Service VLAN TAG
 - S-VLAN Service VLAN
 - S-VID Service VLAN ID
- Additional Provider Backbone Bridge Terminology
 - I-TAG Extended Service TAG
 - I-SID Extended Service ID
 - C-MAC Customer MAC Address
 - B-MAC Backbone MAC Address
 - B-VLAN Backbone VLAN (tunnel)
 - B-TAG Backbone TAG Field
 - B-VID Backbone VLAN ID (tunnel)